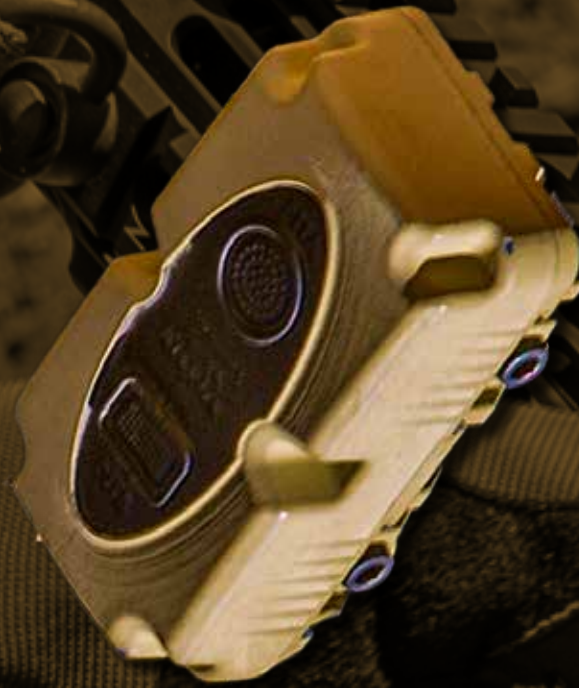




MWPTT

MICRO WIRELESS PUSH-TO-TALK



WIRELESS PRIMARY / SECONDARY PTT

PICATINNY MOUNTED

PLUG AND PLAY SIMPLICITY

20M IMMERSIBLE

RING FINGER PTT (OPTIONAL)

INTERNAL AAA BATTERY

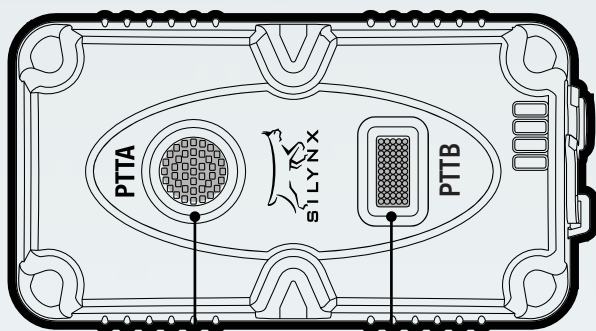
The Silynx Micro Wireless Push-to-Talk (MWPTT) enables users to remotely and wirelessly PTT their comms devices.

Pair the MWPTT with a Silynx control box in seconds, and it will PTT up to two devices, including radios, smartphones, and various ICS platforms. Supports a removable ring finger PTT, ideal for snipers, tactical drivers & airborne operations.



SYSTEM

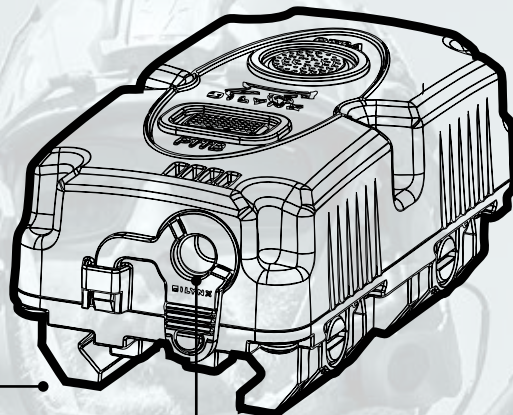
FRONT



PTT A

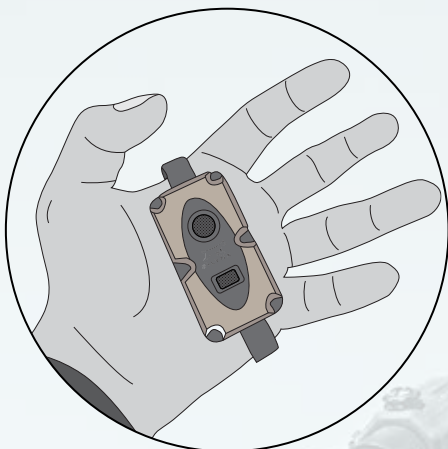
PTT B

SIDE

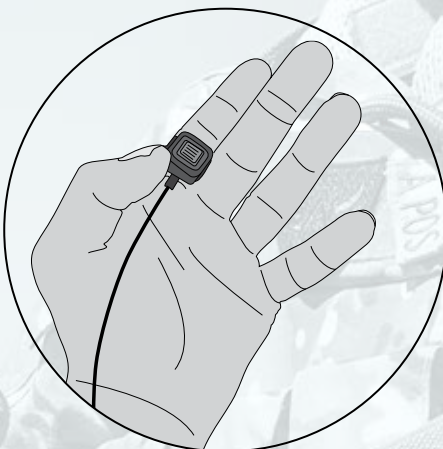


Picatinny Rail Adaptor

Finger PTT Jack



Palm Strap Option



Remote Ring PTT Option



Gear stick PTT

TECH SPECS

Wireless

RF Transceiver 2.4 GHz IEEE 802.15.4
 Protocol..... ZigBee 2006
 Range..... 2m

Battery life Expectancy

Internal 1.5V AAA Battery.....1 Year

Control System

Picatinny rail mount
 Optional wrist strap
 Optional Ring PTT

Environmental

Operating Temperature.....-31°C to +70°C
 Storage Temperature.....-40°C to +75°C
 Humidity.....95% at ambient temp range +30 to +60 C
 Altitude..... 40,000 ft
 Immersion..... 20m for 2hr

Dimensions

MWPTT..... 2.50" L x 1.35" W x 0.80" H

Weight

MWPTT.....44.38g (including battery)

**Specifications are subject to change without notice.*